

**SAFETY AIR BLOWOFF GUNS**

**Nex Flow™ Blowoff Guns utilize the efficient and superior Nozzles and Jets to reduce compressed air consumption and noise levels with safety in mind.**

**WHAT ARE THEY - REASONS TO USE**

Many low cost Air Guns are sold extensively but do not necessarily last. In addition, they are not all safe to use and may result in dangerous high dead end pressures.

**Nex Flow™ safety air blowoff Guns are durable, safe, and comfortable to use incorporating our efficient Air Nozzles and Jets to produce high output air and “laminar” flow while minimizing compressed air use and noise levels.**

The most important reason to use safety Air Guns with our Air Nozzles or Jets is safety. All Nex Flow™ Air Nozzles and Jets meet OSHA standard CFR 1910.242(b) for dead end pressure. Noise levels are dramatically lower with Air Nozzles and Jets in addition to lower energy use.

**SELECTION**

There are two types of Safety Air Blowoff Guns to choose from depending on the individual’s personal taste and comfort. See Nozzles and Jets for their technical details.



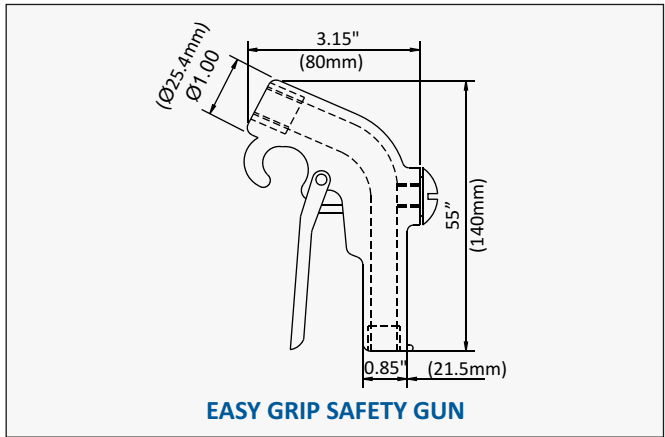
**EASY GRIP SAFETY GUN**



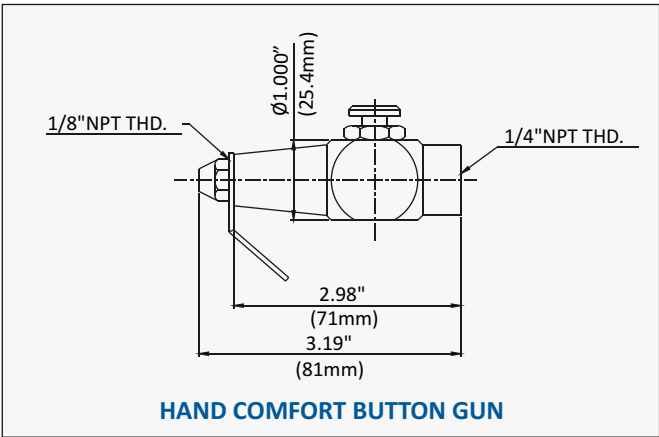
**HAND COMFORT BUTTON GUN**

**Nex Flow™** removes the confusion from Air Jets and Nozzles. You do NOT need hundreds of different Nozzles. All air amplifying Nozzles produce air flows up to 25 times the compressed air consumed. Different Nozzles have different outlet sizes and the more air used, the greater the force produced. Noise reduction up to 10 dBA is typical as well as reduced air consumption when compared to open Jets and Tubes.

By maintaining a reasonable choice of Nozzles most valid applications can be addressed with our range.



**EASY GRIP SAFETY GUN**



**HAND COMFORT BUTTON GUN**





### EXTENSION TUBE AND RIGID FLEX HOSE

You can add an anodized aluminum Extension Tube or a Rigid Flex Hose to the Easy Grip Gun for extended reach. Tubes are available in 6", 12", 18", 24", and 36" lengths. The Rigid Flex Hose is available in 6" and 12" lengths.

### EASY GRIP SAFETY AIR GUN

PART NO.	DESCRIPTION
49000	Air Gun Only (no nozzle)
49003	Air Gun with 47003 aluminum nozzle
49003S	Air Gun with 47003S 303/304 stainless nozzle
49003S-316L	Air Gun with 47004 aluminum nozzle
49004S	Air Gun with 47004S 303/304 stainless nozzle
49004S-316L	Air Gun with 47004S-316L stainless nozzle
49009	Air Gun with 47009 adjustable aluminum nozzle
49009S	Air Gun with 47009S 303/304 adjustable stainless nozzle
49009S-316L	Air Gun with 47009S-316L adjustable stainless nozzle
49010	Air Gun with 40 stream aluminum nozzle
49002X	Air Gun with 10002 X-stream 2" aluminum Air Blade air knife

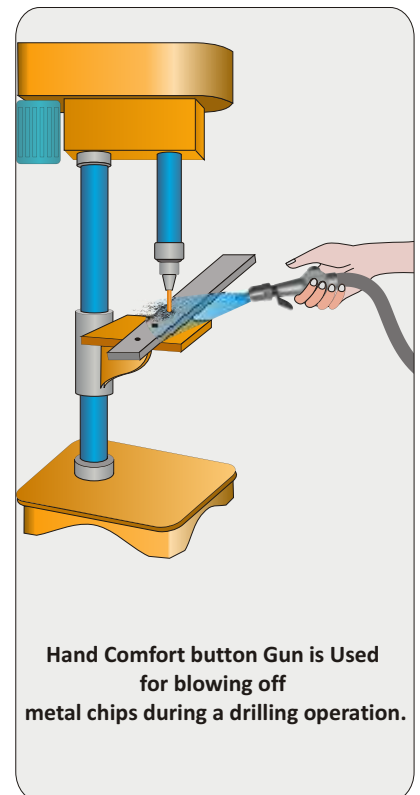


### EXTENSIONS FOR EASY GRIP SAFETY AIR GUN

PART NO.	DESCRIPTION
49906	6" Extension
49912	12" Extension
49918	18" Extension
49924	24" Extension
49936	30" Extension

### HAND COMFORT BUTTON GUN

PART NO.	DESCRIPTION
49100	Air Gun Only (no nozzle)
49103	Air Gun with 47003 aluminum nozzle
49103S	Air Gun with 47003S 303/304 stainless nozzle
49103S-316L	Air Gun with 47003S-316L stainless nozzle
49109	Air Gun with 47009 adjustable aluminum nozzle
49109S	Air Gun with 47009S 303/304 adjustable stainless nozzle
49109S-316L	Air Gun with 47009S-316L adjustable stainless nozzle
49010	Air Gun with 40 stream aluminum nozzle



Hand Comfort button Gun is Used for blowing off metal chips during a drilling operation.

SMART N CLEVER™ AIR GUNS